

GALFRE

GOSTRUZIONI MACCHINE AGRICOLE

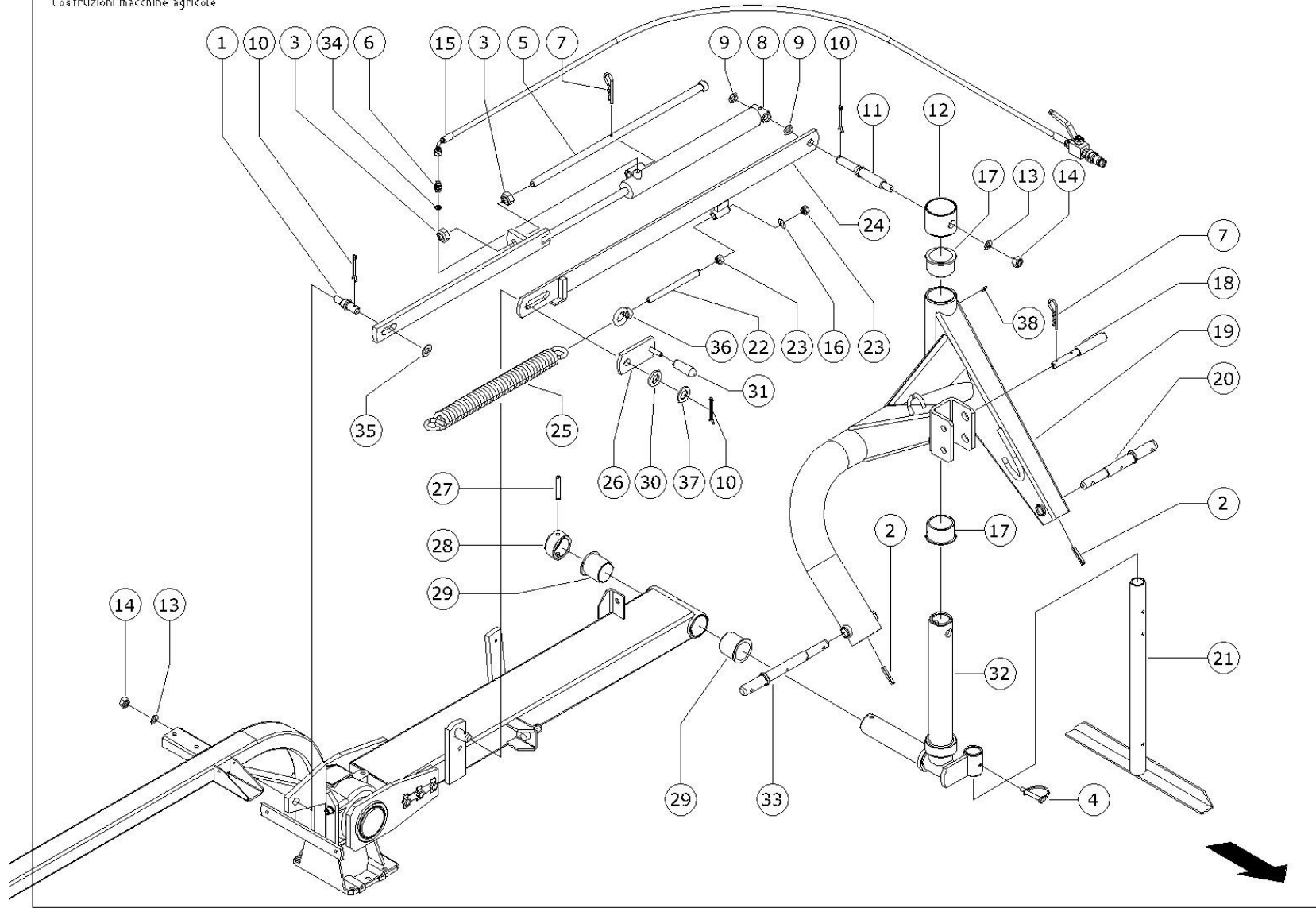
di GALFRE' DOMENICO & C. s.n.c.
Via Centallo, 136 - ROATA CHIUSANI
12044 CENTALLO (CN) - ITALY
Tel. 0171.718005 - Fax 0171.718004
Sito internet: www.galfre.net
E-mail: info@galfre.net

CATALOGO RICAMBI SPARE PARTS LIST LISTE DE PIECES DE RECHANGE



FALCIATRICE ROTANTE A DISCHI DISC MOWERS FAUCHEUSES A DISQUES **FR/D - E105G**

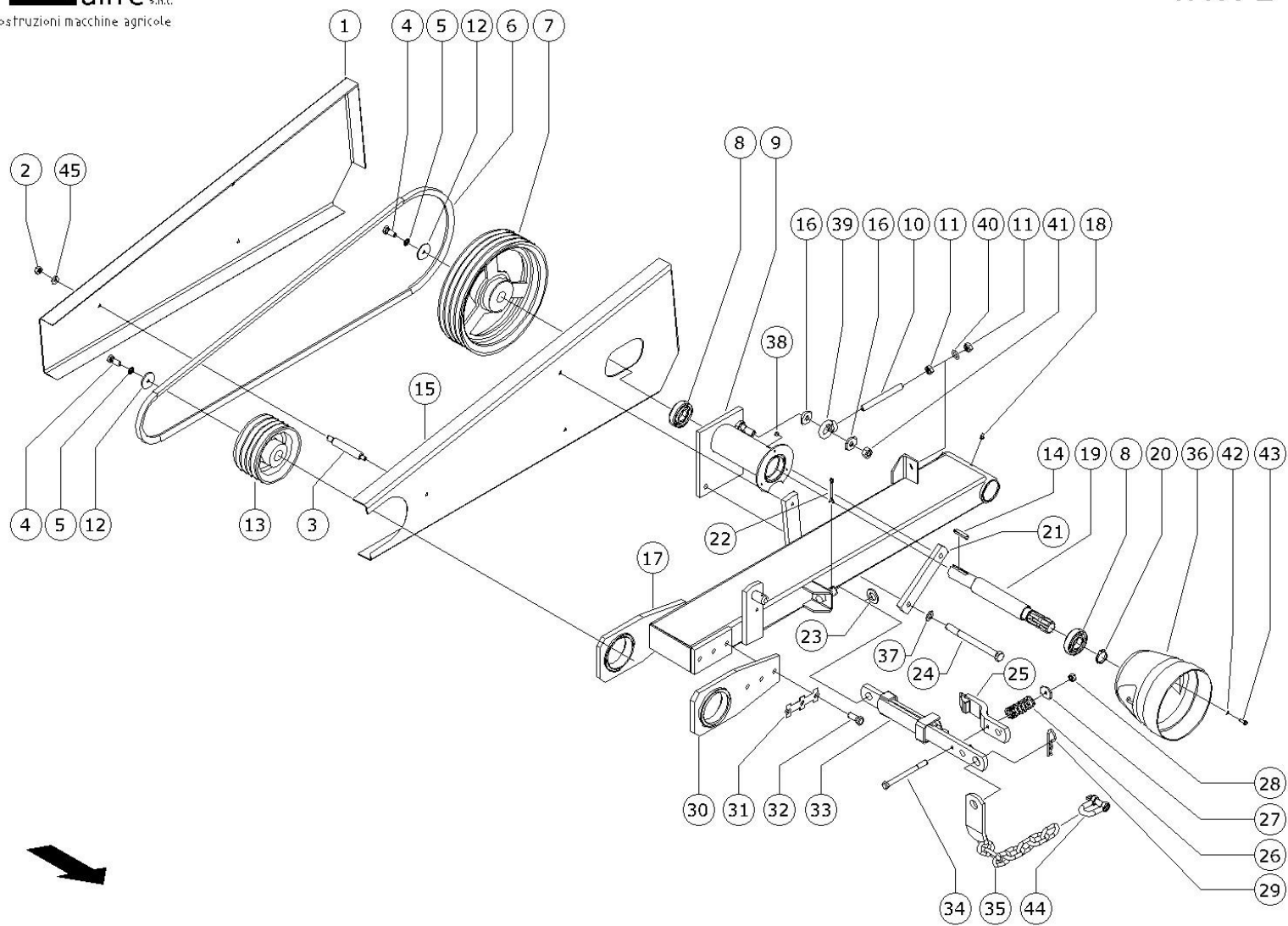
FR/D 210 - FR/D 165



GRUPPO: SQUADRA-CILINDRO
HEADSTOCK
CHASSIS SYSTEM 3-POINTS

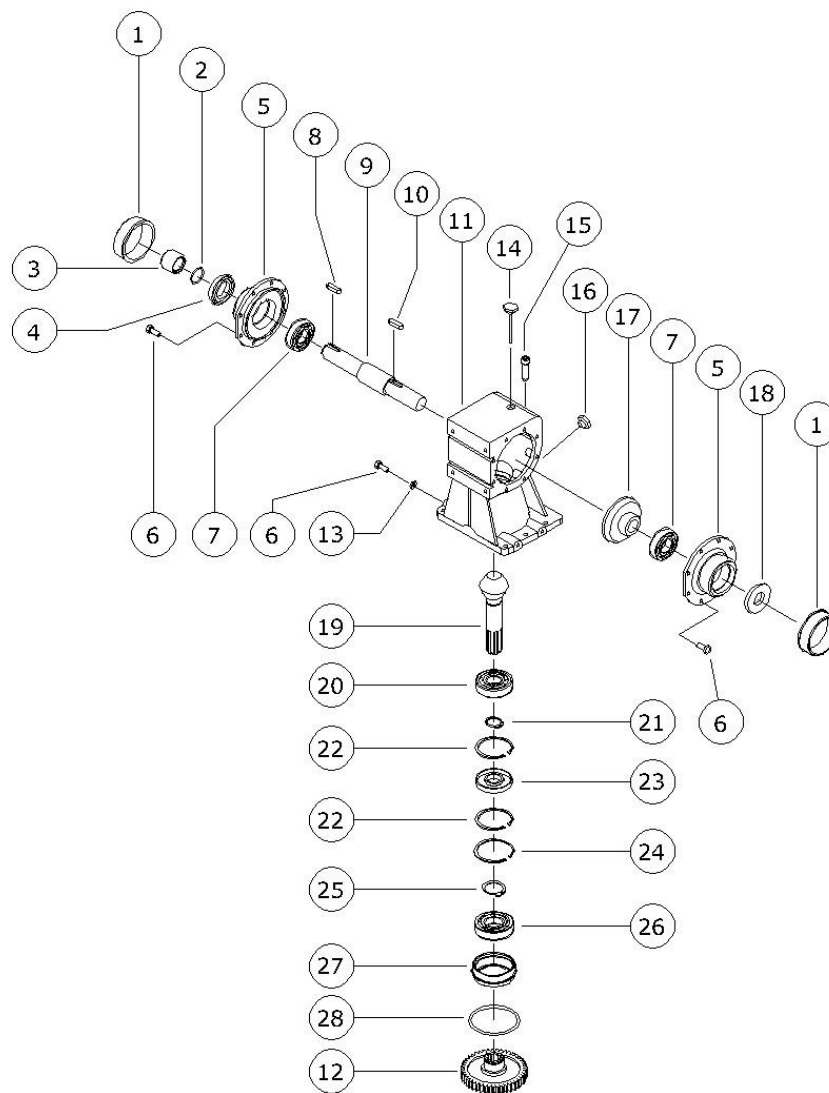
TAV. 1

Posiz.	Nr. ° Cod. Cod.number	Descrizione Description		QTA' QTY	
1	03-0001-0023-00	Perno fissaggio asta cilindro	Trunnion	Maneton	1
2	02-0050-0010-00	Spina elastica (d.8x50)	Tensioning Pin	Goupille Serrage	2
3	02-0017-0021-00	Dado Es. M20x2.5A	Hexagonal Nut	Ecrou Six Pans	2
4	02-0050-0043-00	Spina a mezzaluna	Spring Clip	Goupille Elastique	1
5	03-0001-0024-00	Perno anticoppia	Rod	Tirant	1
6	02-0013-0075-00	Nipplo 3/8"-3/8" GAS Cil.	Screw-in Union	Raccord Filets	1
7	02-0014-0017-00	Coppiglia (Spina a R)	Spring Clip	Goupille Elastique	2
8	02-0010-0042-00	Cilindro idr. Stelo d.50-C 30	Hydr.Cylinder	Verin Hydraulique	1
9	02-0045-0020-00	Rosetta piana (22x30x3) ZB	Washer	Rondelle	2
10	02-0014-0001-00	Coppiglia (d.5.5x70)	Split Pin	Goupille Elastique	1
11	03-0001-0025-00	Perno fissaggio cil.	Pin	Boulon	1
12	30-0029-0002-00	Cuffia di fissaggio (FRD)	Bearing Support	Support-Palier	1
13	02-0045-0025-00	Rosetta piana (17x48x3) ZB	Washer	Rondelle	2
14	02-0017-0005-00	Dado es. autobl.M16x2 ZB	Hex. Nut-self-LOCK	Ecrou Six Pans	2
15	02-0013-0079-00	Gruppo comando cil.dr.	Hose Pipe	Tuyau Flex. Hydr.	1
16	02-0045-0002-00	Rosetta piana (13x24x2.5) ZB	Washer	Rondelle	2
17	02-0006-0011-00	Boccola PVC- 44H-D.70-d.64(coll.d.82)	Synthetic bushing	Douille plastique	1
18	03-0001-0026-00	Perno attacco 3° punto	Pin 3rd-Points	Boulon 3 Points	1
19	30-0017-0002-00	Attacco a 3 punti (FRD)	3-Points Support	Support 3-Points	1
20	03-0001-0027-00	Perno DX per sollevamento	Support Pin-R	Tourillon Porteur-D	1
21	30-0019-0004-00	Piede di appoggio	Stand	Baquette	1
22	02-0054-0022-00	Barra filettata M14- L=185 ZB	Thread bar	Bar filete	1
23	02-0017-0046-00	Dado Es. M12x1.75 -ZB	Hexagonal Nut	Ecrou Six Pans	2
24	30-0021-0005-00	Staffa tirante	Brace	Etai	1
25	02-0033-0003-00	Molla a trazione F9-De.48-LL505	Tension Spring	Ressort tendeur	1
26	30-0005-0002-00	Leva di bloccaggio	Fuse lever	Lever de securit	1
27	02-0050-0020-00	Spina el. d.12x70-ZB	Tensioning Pin	Goupille Serrage	2
28	03-0007-0049-00	Boccola per squadra	Bush	Douille	1
29	02-0006-0013-00	Boccola PVC	Synthetic bushing	Douille plastique	1
30	02-0045-0080-00	Rosetta piana (27x47x5) ZB	Washer	Rondelle	1
31	02-0071-0001-00	Inpugnatura	Handle	Poignee	1
32	30-0026-0002-00	Supporto snodo (FRD)	Axle	Essieu	1
33	03-0001-0028-00	Perno SX per sollevamento	Support Pin-H	Tourillon Porteur-G	1
34	02-0045-0051-00	Rosetta rame 3/4G	Washer	Rondelle	1
35	02-0045-0041-00	Rosetta piana (21x37x3) ZB	Washer	Rondelle	1
36	02-0017-0138-00	Occhiello M 14 ZB	Eye	Oeillet	1
37	02-0045-0078-00	Rosetta piana (27x47x3) ZB	Washer	Rondelle	1



**GALFRE'- DISTINTA RICAMBI
LIST**
**GRUPPO :PULEGGE
FRAME-DRIVE
CHASSIS-ENTRAINEMENT
TAV. 2**

Posiz.	Nr°. Cod. Cod.number	Descrizione Description		QTA' QTY	
1	02-0072-0002-00	Carter posteriore	Guard plat exter	Garant	1
2	02-0017-0076-00	Dado Es..Autobloc. M12x 1.75 -A ZB	Hex.Nut-self-lock	Ecrou Six Pans	4
3	03-0001-0001-00	Perno distanziale per carter (M12)	Spacer Bolt	Goujon ecartem	3
4	02-0057-0022-00	Vite T.E. M12x30-ZB	Hexagonal Screw	Vis Six Pans	2
5	02-0045-0018-00	Rosetta (13x40x6) ZB	Washer	Rondelle	2
6	02-0011-0001-00	Cinghia trap. RMA B98-17x2488 (FRD)	V-Belt	Courroie	4
7	02-0042-0002-00	Puleggia in ghisa SPB D.320-4 gole	V-Belt Pulley	Poulie-Courroie	1
8	02-0037-0003-00	Cuscinetto 6207/2RS-SKF	Grvd.Ball bearing	Roul.Gorge prof.	2
9	02-0026-0003-00	Supporto porta albero calettato	Bearing support	Support palier	1
10	02-0054-0031-00	Barra filettata M14-L= 150 ZB	Thread bar	Bar filet	1
11	02-0017-0017-00	Dado Es. M12x 1.75 A -ZB	Hexagonal Nut	Ecrou Six Pans	2
12	02-0045-0079-00	Rosetta tranciata (13x40x5) ZB	Space Washer	Rondelle-Ecartem.	2
13	02-0042-0001-00	Puleggia in ghisa SPB D.160-4 gole	V-Belt Pulley	Poulie-Courroie	1
14	02-0030-0005-00	Chiavetta 10x8x50	Parallel Key	Clavette Noyee	2
15	02-0072-0001-00	Carter anteriore	Guard plat inter.	Garant	1
16	03-0024-0004-00	Rosetta tranciata (17x40x5) ZB	Space Washer	Rondelle-Ecartem.	2
17	30-0024-0006-00	Montante (FRD)	Frame Arm	Bati	1
18	02-0025-0011-00	Ingrassatore UNI 7662-M8x1	Grease Nipple	Graisseur	1
19	03-0018-0013-00	Albero scanalato	Shaft	Arbre	1
20	02-0004-0012-00	Anello seeger per alb.D.35x1.5	Snap Ring	Circlip	1
21	30-0021-0006-00	Staffa per supp. porta albero	Flat Rod	Tirant	1
22	02-0014-0001-00	Coppiglia D.5.5x70	Cotter Pin	Goupille elastique	1
23	02-0045-0004-00	Rosetta piana (25x44x5) ZB	Washer	Rondelle	1
24	02-0057-0168-00	Vite T.E. M16x200 ZB	Hex. Cap Screw	Vis	2
25	30-0028-0002-00	Gancio di sicurezza	Safety Rod	Cliquet	1
26	02-0033-0011-00	Molla a compressione	Spring	Ressort	1
27	03-0024-0003-00	Rosetta tranciata (13x40x5) ZB	Washer	Rondelle	1
28	02-0017-0003-00	Dado Es.Autobloc. M12x 1.75 ZB	Hex. Nut-self-lock	Ecrou Six Pans	1
29	02-0050-0044-00	Spina a scatto d.10	Snap Pin	Goupille Elastique	1
30	30-0027-0002-00	Paletta snodo (FRD)	Hinge Piece	Palier	1
31	02-0045-0009-00	Bloccaggio viti (3sedi) ZB	Locking screw	Supportvis	3
32	02-0057-0014-00	Vite T.E. M14x35-ZB	Hex. Cap Screw	Vis	3
33	30-0028-0003-00	Scatto di sicurezza	Connecting rod	Etai	1
34	02-0057-0155-00	Vite T.E. M12x150	Hex. Cap Screw	Vis	1
35	02-0008-0001-00	Catena per soll. (FRD LATERALE)	Chain	Chaine	1
36	02-0016-0009-00	Controcuffia	Revers cover	-	1
37	02-0045-0037-00	Rosetta piana (17x30x3)ZB	Washer	Rondelle	2
38	02-0017-0072-00	Dado Es. Autobloc. M6 ZB	Hex. Nut-self-lock	Ecrou Six Pans	3
39	02-0017-0138-00	Occhiello M14 ZB	Eye	Oeillet	1
40	02-0045-0063-00	Rosetta piana (15x26x2.5) ZB	Washer	Rondelle	1
41	02-0017-0078-00	Dado autobl. M16-ZB	Hex. Nut-self-lock	Ecrou Six Pans	1
42	02-0045-0062-00	Rosetta piana (6.5x18-1.5) ZB	Washer	Rondelle	3
43	02-0065-0125-00	Vite TE M6x20 ZB	Hex. Cap Screw	Vis	3
44	02-0065-0002-00	Morsetto per catena M14 ZB	Chain buckle	-	1

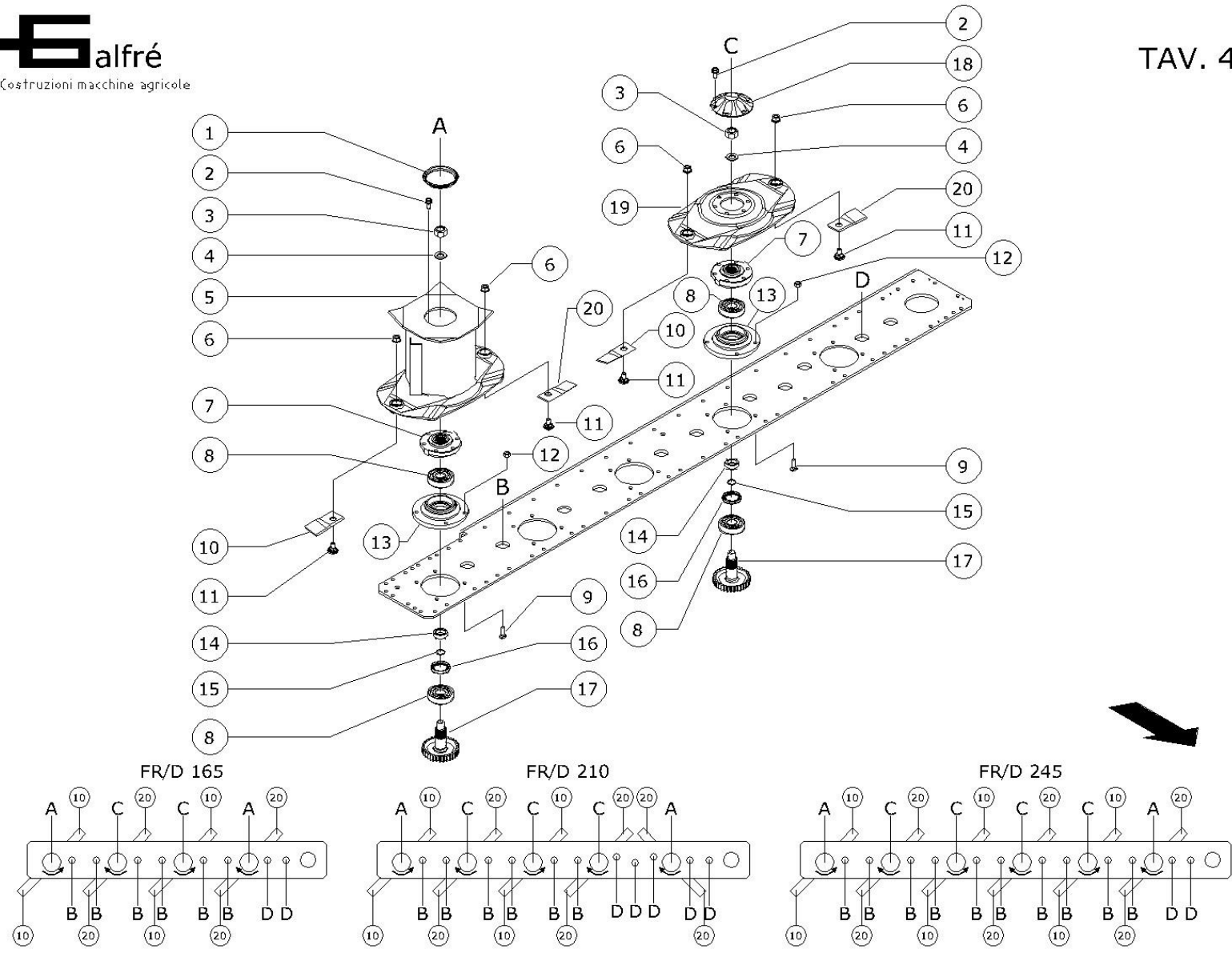


GALFRE'- DISTINTA RICAMBI LIST

GRUPPO:RINVIO ANGOLARE ANGLE DRIVE BOITIER A RENVOI D'ANGLE

TAV 3

Posiz.	Nr°.Cod. Cod.number	Descrizione Description		QTA' QTY
1	03-0023-0005-00	Boccola PVC	Synthetic Bushing	Douille Plastique 2
2	02-0003-0512-00	Anello OR (39.83x34.52x2.62)	Seal Ring	Bague-Etancheite 1
3	03-0015-0005-00	Boccola Distanziale	Spacer Bushing	Douille -Ecartem. 1
4	02-0003-0024-00	Corteco (72x45x10)	Shaft Seal Ring	Baugue-Etancheite 1
5	03-0011-0013-00	Flangia	Flange	Couvercle 2
6	02-0057-0006-00	Vite TE M10x2.5 ZB	Hexagonal Screw	Vis Six Pans 18
7	02-0037-0003-00	Cuscinetto SKF - 6207	Roller Bearing	Roul Rouleaux Con 2
8	02-0030-0005-00	Linguetta 8x10x50	Parallel Key	Clavette Noyee 1
9	03-0018-0014-00	Albero di Trasmissione	Drive Shaft	Arbre de Commande 1
10	02-0030-0004-00	Linguetta 8x10x45	Parallel Key	Clavette Noyee 1
11	03-0012-0001-00	Corpo scatola	Gearbox Housing	Carter-Boiter-Vit 1
12	03-0069-0004-00	Ingranaggio Z 45	Gear	Engranage 1
13	02-0045-0027-00	Rosetta piana (17x48x3)	Washer	Rondelle 2
14	02-0073-0012-00	Tappo olio con asta 3/8" Gas	Plug Oil Level Rod	Bouchon Filete 1
15	02-0057-0238-00	Vite TCEI M12x45 (DRACOMET)	Cyl. Head Screw	Vis Cilindrique 8
16	02-0073-0014-00	Tappo olio con sfiato 3/8" Gas	Oil Tap Screw	Bouchon Filete 1
17	03-0036-0001-00	Corona Z 20	Bevel Gear	Roue Conique 1
18	02-0003-0002-00	Corteco (10x35x72)	Shaft Seal Ring	Baugue-Etancheite 1
19	03-0036-0002-00	Pignone	Shaft Pinion	Pignon 1
20	02-0037-0007-00	Cuscinetto SKF 6307	Grvd. Ball Bearing	Roul Gorge Prof. 1
21	02-0004-0012-00	Anello seeger per est. (35x1.5)	Snap Ring Out	Circlip Est. 1
22	02-0004-0025-00	Anello seeger per int. (80x2.5)	Snap Ring In	Circlip Int. 2
23	02-0003-0016-00	Corteco (80x35x10) SC	Shaft Seal Ring	Baugue-Etancheite 1
24	02-0004-0030-00	Anello seeger per int. (85x3)	Snap Ring In	Circlip Int. 1
25	02-0004-0031-00	Anello seeger per est. (45x2.5)	Snap Ring Out	Circlip Est. 1
26	02-0037-0019-00	Cuscinetto SKF 6209	Grvd. Ball Bearing	Roul Gorge Prof. 1
27	03-0037-0001-00	Boccola	Bushing	Douille 1
28	02-0003-0513-00	Anello OR (98.02x3.53)	Ring	Bague D'Etancheit 1

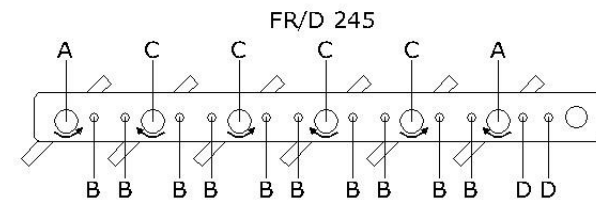
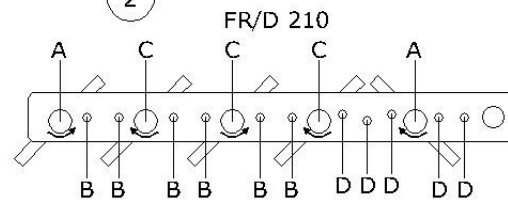
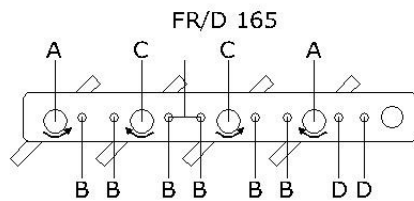
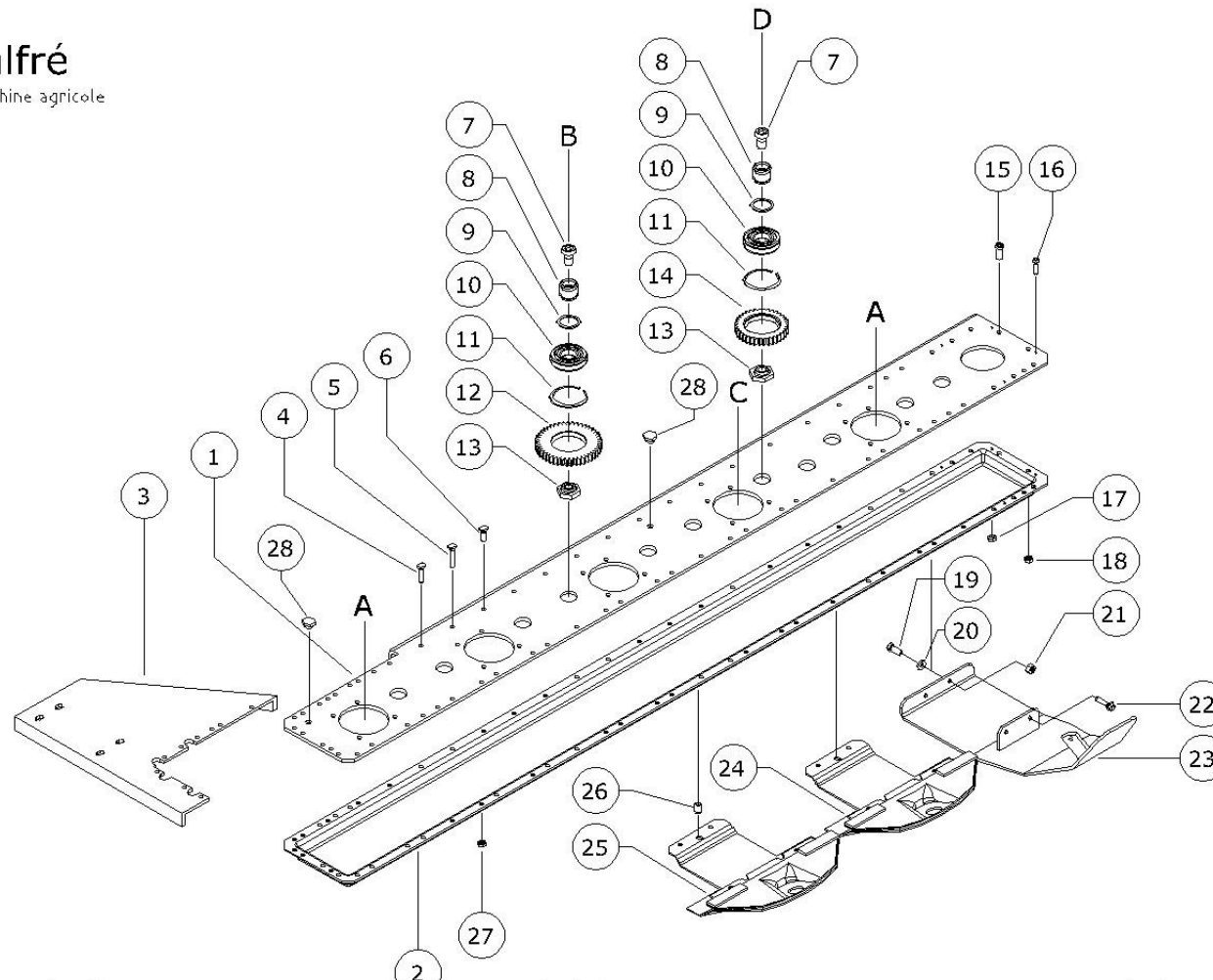


GALFRE'- DISTINTA RICAMBI LIST

GRUPPO: BARRA SUPERIORE GALFRE' CUTTING DISC GALFRE' DISQUE-COUTEAU GALFRE'

TAV 4

Posiz.	Nr.Cod. Cod.number	Descrizione Description			QTA' QTY
1	02-0016-0012-00	Tappo in PVC	Locking Cover	Couvercle	1 (2)
2	02-0057-0243-00	Vite flangiata zigr. M10x20	Special Screw	Vis Flange	24 (30)
3	02-0017-0136-00	Dado autobloccante M20x1.5	Hex.Nut-self-lock	Ecrou Six Pans Index	4 (5)
4	02-0045-0074-00	Rosetta piana (20x37x2.5) ZB	Washer	Rondelle	4 (5)
5	30-0031-0001-00	Disco con convogliatore	Moving Disc Assy.	Disque De Fauche	1 (2)
6	02-0017-0135-00	Dado flangiato zigr. M10	Securing Nut	Ecrou Indesserrab	8 (10)
7	03-0011-0014-00	Supporto porta disco	Mounting Disc	Support Disc	4 (5)
8	02-0037-0006-00	Cuscinetto SKF 6306	Grvd.Ball Bearing	Roul. Gorge Prof.	8 (10)
9	02-0057-0239-00	Vite speciale M10x35	Special Screw	Vis	16 (20)
10	02-0012-0012-00	Coltello SX-108x47x4	Knife Left	Lame Coupe Gauche	4 (5)
11	02-0057-0244-00	Vite per coltello	Knife Screw	Vis Lame Coupe	8 (10)
12	02-0017-0016-00	Dado Es. M10x1.5	Hex Nut	Ecrou Six Pans	16 (20)
13	03-0011-0015-00	Supporto per cuscinetto	Bearing Mounting	Support Roul.	4 (5)
14	03-0015-0006-00	Distanziale	Spacer	Manchon Distance	4 (5)
15	02-0003-0514-00	Anello OR	Seal Ring	Bague-Etancheite	4 (5)
16	02-0003-0014-00	Corteco (8x40x56)	Shaft Seal Ring	Bague-Etancheite	4 (5)
17	02-0069-0003-00	Ingranaggio rotore Z.34	Gear	Engrenage	4 (5)
18	03-0004-0037-00	Flangia di chiusura	Cover Flange	Couvercle	3 (4)
19	30-0031-0002-00	Disco di taglio	Disc	Disque De Fauque	3
20	02-0012-0013-00	Coltello DX-108x47x4	Knife Right	Lame Coupe Droite	4 (5)

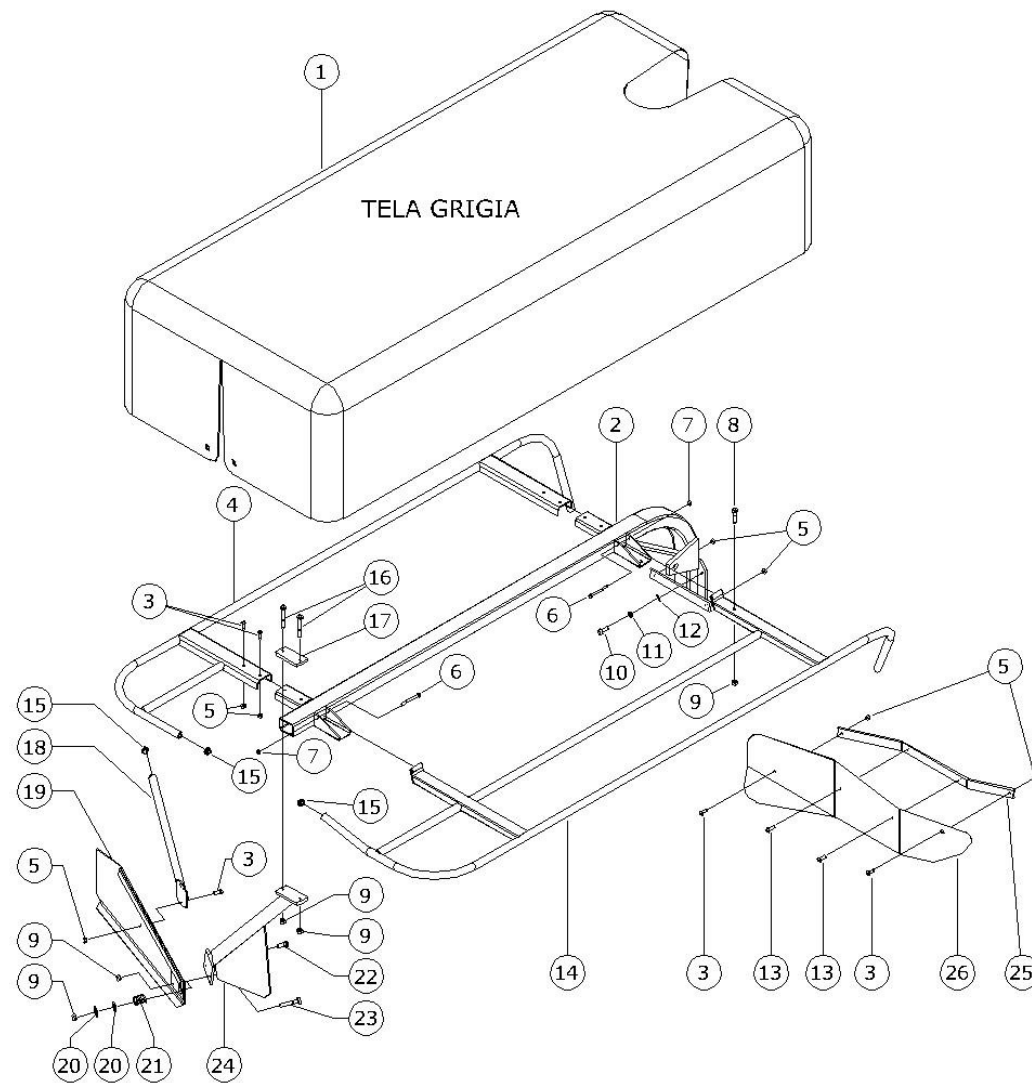


GALFRE'- DISTINTA RICAMBI LIST

GRUPPO: BARRA INFERIORE GALFRE' KNIFE DRIVE CASING GALFRE' COMMANDE DE LAME GALFRE'

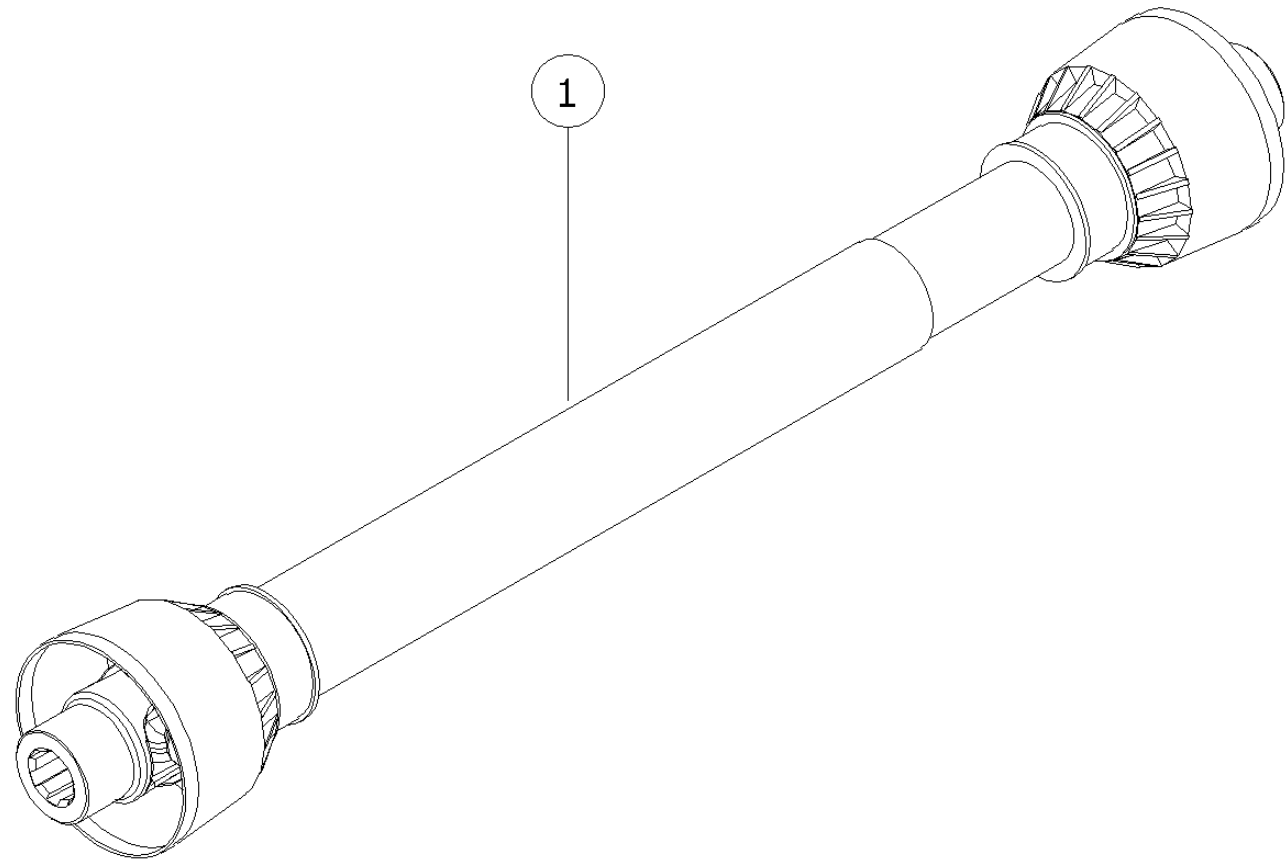
TAV 5

Posiz.	Nr.Cod. Cod.number	Descrizione Description			QTA' QTY
1	30-0011-0003-00	Piastra porta ingranaggi -Sp.8	Basin	Couvercle	1
2	30-0011-0004-00	Vasca -Sp.4	Cover	Carter	1
3	30-0011-0008-00	Scarpa di scorrimento laterale	Slaiide Plate	Patin De Disque	1
4	02-0057-0239-00	Vite spec. M10x35	Special Screw	Vis	28 (38)
5	02-0057-0240-00	Vite spec. M10x25	Special Screw	Vis	16
6	02-0057-0241-00	Vite spec. M10x65	Special Screw	Vis	4 (5)
7	02-0057-0242-00	Vite spec. M20x30	Special Screw	Vis	8 (11)
8	03-0037-0002-00	Boccola porta cuscinetto	Pin	Maneton	8 (11)
9	02-0045-0073-00	Rosetta piana (41x52x3)	Washer	Rondelle	8 (11)
10	02-0037-0020-00	Cuscinetto SKF 6208 N	Ball Bearing	Rouleaux	8 (11)
11	02-0004-0025-00	Anello seeger per int. (80x2.5)	Snap Ring In	Circlip Int.	8 (11)
12	02-0069-0002-00	Ingranaggio ozioso Z.45	Free Gear	Engrenage	6
13	02-0017-0137-00	Dado spec. M20x2.5	Special Nut	Couvercle	8 (11)
14	02-0069-0001-00	Ingranaggio ozioso Z.36	Free Gear	Engrenage	2 (5)
15	02-0057-0081-00	Vite TCEI M12x45	Cyl. Head Screw	Vis T.Cilindrique	8
16	02-0057-0059-00	Vite TCEI M8x25	Cyl. Head Screw	Vis T.Cilindrique	4
17	02-0017-0017-00	Dado es. M12x1.75 (A)	Hex. Nut	Ecrou	8
18	02-0017-0015-00	Dado es. M8x1.25 (A)	Hex. Nut	Ecrou	4
19	02-0057-0022-00	Vite TCEI M12x30	Cyl. Head Screw	Vis T.Cilindrique	2
20	02-0045-0002-00	Rosetta piana (13x24x2.5) ZB	Washer	Rondelle	2
21	02-0017-0003-00	Dado autobloccante M12	Hex.Nut-self-lock	Ecrou Six Pans Index	2
22	02-0057-0243-00	Vite flangiata M10x20	Special Screw	Vis Flange	2
23	30-0011-0005-00	Scarpa di scorrimento DX	Slaiide Plate R.	Patin De Disque Droite	1
24	30-0011-0006-00	Scarpa di scorrimento asimmetrica	Slaiide Plate Asym.	Patin De Disque Droite	1 (2)
25	30-0011-0007-00	Scarpa di scorrimento simmetrica	Slaiide Plate Sym.	Patin De Disque Droite	1 (3)
26	03-0015-0007-00	Boccola distanziale	Spacer Bushing	Duille Manchon-Distance	4 (5)
27	02-0017-0016-00	Dado es. M10x1.5 (A)	Hex. Nut	Ecrou	63 (78)



**GALFRE'- DISTINTA RICAMBI
LIST**
**GRUPPO: PROTEZIONI
PROTECTIVE GUARDS
GARANTS DE PROTECTION**
TAV. 6

Posiz.	Nr.Cod. Cod.number	Descrizione Description			QTA' QTY
1	02-0044-0004-00	Telo di Protez. -FRD 165 4/D Lat. Grigia	Safety Curtain Grey	Toile Anti-Projec Grise	1
	02-0044-0006-00	Telo di Protez.-FRD 210 5/D Lat. Grigia	Safety Curtain Grey	Toile Anti-Projec Grise	1
					1
2	30-0024-0007-00	Montante verniciato -FRD 165 4/D	Guard	Garant	1
	30-0024-0008-00	Montante verniciato -FRD 210 5/D	Guard	Garant	1
					1
3	02-0057-0250-00	Vite TBCEI M10x25- ZB	Flat Head Bolt	Vis A Tete Bombee	8
4	30-0006-0035-00	Protezione Post.Vern.-FRD 165 4/D	Safety Carrier	Support	1
	30-0006-0036-00	Protezione Post.Vern.-FRD 210 5/D	Safety Carrier	Support	1
					1
5	02-0017-0045-00	Dado Es. M10 -ZB (A)	Hex. Nut	Ecrou	10
6	02-0057-0004-00	Vite TE M8x80 - ZB (A)	Hexagonal Bolt	Vis Six Pans	2
7	02-0017-0044-00	Dado Es. M8 -ZB (A)	Hex. Nut	Ecrou	2
8	02-0057-0251-00	Vite TE M12x50-ZB (A)	Hexagonal Bolt	Vis Six Pans	1
9	02-0017-0046-00	Dado Es.M12-ZB (A)	Hex. Nut	Ecrou	5
10	02-0057-0246-00	Vite TCEI M12x30- ZB (A)	Cyl. Head Screw	Vis T.Cilindrique	4
11	02-0045-0076-00	Rosetta Dentata D20xd9 - ZB	Washer	Rondelle	4
12	02-0045-0001-00	Rosetta Piana -D24xd9- Sp.2- ZB	Washer	Rondelle	4
13	02-0057-0036-00	Vite TBCEI M10x30- ZB (A)	Flat Head Bolt	Vis A Tete Bombee	2
14	30-0006-0032-00	Protezione Ant.Vern.-FRD 165 4/D	Safety Curtain Grey	Toile Anti-Projec Grise	1
	30-0006-0033-00	Protezione Ant.Vern.-FRD 210 5/D	Safety Curtain Grey	Toile Anti-Projec Grise	1
					1
15	02-0053-0006-00	Tappo Cilindrico	Plug Cyl.	Bouchon Cil.	4
16	02-0057-0249-00	Vite TE M12x80-ZB (A)	Hexagonal Bolt	Vis Six Pans	2
17	30-0006-0046-00	Lama attacco montante	Strap	Patte	1
18	30-0006-0047-00	Asta regolazione andana	Track Stick	Baton-Andain	1
19	30-0006-0048-00	Regolatore andana estema	Oute Swath Board	Tole Prot. Ext.	1
20	02-0045-0081-00	Rosetta piana D36xd15-Sp.3	Washer	Rondelle	2
21	02-0033-0020-00	Molla a compressione	Spring	Ressort	1
22	02-0057-0246-00	Vite TE M12x30 ZB	Hexagonal Bolt	Vis Six Pans	1
23	02-0057-0254-00	Vite TE M12x70 ZB	Hexagonal Bolt	Vis Six Pans	1
24	30-0006-0044-00	Convogliatore est. oscillante	Brace	Etai	1
25	30-0006-0040-00	Lama per foma andana interna	Strap	Patte-Andain	1
26	30-0006-0039-00	Forma andana interna fissa	Swath Plate	Planche-Andain	1



GALFRE'- DISTINTA RICAMBI
LISTGRUPPO : ALBERO CARDANO
UNIVERSAL DRIVE SHAFT
ARBRE A CARDANS

TAV. 7

Posiz.	Nr.Cod. Cod.number	Descrizione Description		QTA' QTY
1	02-0074-0001-00	Albero cardano con ruota libera	Universal Drive Shaft with Free Wheel	Arbre A Cardans 1

